

ATCO NEWSLETTER

VOLUME 24 NUMBER 4

October 2007

The ATCO newsletter is the official publication of a group of amateur television operators known as "AMATEUR TELEVISION IN CENTRAL OHIO Group Inc" and is published quarterly (January, April, July, and October)

Re-publication of ATCO newsletter material is encouraged as long as source credit is properly given.

Exception: "Reprinted by permission" material must have the original publisher's permission.

ATCO SPOTLIGHT TOPIC

Yes, it's repeater antenna show-off time! Can you guess which ones are ours? The 427 transmit antenna is at 1. The 439 receive antenna is directly below the transmit antenna and barely visible. The 1250 transmit antenna is at 2. The rest of them are on a lower ring support and not identifiable in this photo. All are at 650 feet above street level. It really makes one wonder how anything works as well as it does. The RF up there is unbelievable!



ACTIVITIES ... from my “workbench”



Well, here I am again! Now that I'm retired, one would think there are many things I could get involved with relating to ATV. However, first some R and R was well deserved. My wife and I spent two weeks relaxing on the beach at Cape May, New Jersey. Second, I have a number of home related chores that need tending. Third, my hamshack is mostly dissassembled and needs to become operational again.

However, in the middle of my “other” projects, the 1250 repeater amp “blew up”. I discovered the 1250 signal output was down significantly so at first I naturally blamed my receiver. The receiver was OK so my attention turned to my antenna. An antenna substitution demonstrated that that was ok too. Since others were now reporting weak reception, I felt a repeater investigation trip was in order. Dale, WB8CJW, and I went there to find the 1250 output was only a coulpe of watts. When we opened up the case and found the output PCB traces burned up we decided it was a bench repair job so home it came. A search for the cause revealed a bad interdigital bandpass filter. As far as the transmitter was concerned, it was operating without an antenna, thus the burned up traces. Downeastmicrowave advised me that a repair of the trace area was not likely to be successful so I decided to fix it. See my pictures of the ‘before and after’ later in this Newsletter. (I always like to fix those things that they say can't be fixed). I decided to cut out the bad PCB area, about ½” x 1”, leaving the copper foil on the bottom. I made a new piece from G10 epoxy PCB material milling it thinner to match the thickness of the original PCB. I cut new traces with an Xacto knife to closely match the original traces and than epoxied the sandwich together onto the original PCB. A live test showed that it worked and power is now back to the original 55 watts. Trace trimming was not necessary. Although it is back to the original power, I decided to see if any improvements could easily be made. I have some silver paint so I decided to paint the output traces, the ones carrying the most RF current, hopefully reducibng the IR losses. To my surprise I got an additional 3 watts simply by painting those traces. That's a good thing to remember. Three watts is not a lot but it's three more to the antenna and three less dissipated as heat! The amp is now ready to go back to the repeater (as soon as the bedroom is painted).

The only other problem we have experienced is the loss of the 446.350 link signal. A trip to the repeater revealed an intermittent AC line plug. How simple can it get. It's been working OK for about 5 years so why now does the line plug fail now. Guess we'll never know the answer to that one because I replaced the cord and threw away the old one. (Or was it a bad power strip?)

Well, I now just finished painting my tower with touchup to cover some of the rust, coated the guy lines and clamps, removed an unused antenna and feedline and checked the rest of the connections. I guess I'm now ready for winter.....wait, I can't believe I just said that. Now back to the rest of the home chores.

Now a word about the Newsletter, membership dues and the ATCO home page.

As you know, I am trying to convert to an Email Newsletter rather than a printed one. Since I'm retired now, it is not convenient to use the company copier to make Newsletters any more. Therefore, if any of you that get printed copies now can use an Emailed version instead, please let me know so I can reduce the burden on my printer. I bought a new HP printer with duplex printing capabilities for the printed Newsletters but it still takes time to crank them out and is tough on toner cartridges which are not cheap.

The dues record keeping is becoming an issue with Bob and I to keep track. When all Newsletters were printed, it was easy for me to put the expiration date on the mailing label. Now, with the Emailed copies, it is not practical to send out a separate Email for each copy to remind you of expired dues. Consequently, I'm seeking new ways to keep track so if you see where I may have made a mistake, please let me know as I don't want to “short change” anyone and will always give you the benefit of the doubt when it is questionable. Bob says he may have a way to send out individual reminders when dues are needed so there may be a way afterall. Presently dues are due the first of January each year but payment anytime during the year is acceptable. I think Bob is keeping track based upon the actual date of payment. Therefore, if you paid \$10 on June 1, Bob's record will show dues are needed next June 1 but we will continue to keep you as an active member and send out Newsletters for at least a year past that. Suggestions invited.

Log onto the ATCO home page (www.atco.tv) to check your individual status and report difficulties. The webpage is now new and improved but may still contain a bug or two. The user name continues to be your call sign but the new default password is netnite\$1. After that, you can set the password of your choice. There have been a couple of recognized bugs in the program so let me or Bob, N8NT know if you have problems or suggestions. Also, you are free to use the ATCO flea market page to list your items for sale. It leaves room for pictures of your item so check it out! Let me take this opportunity to congratulate and thank Bob, N8NT for the excellent web page software he has created for us. It has taken many devoted hours and hard work to get to this point. Thanks, again!



That's all for now. See you at the Fall Event this Sunday.

...WA8RMC

NEW DARA NEWSLETTER...Our competition?????

Here's the latest info from the DARA folks. The latest on their new repeater location is that they may be able to use an existing 150 foot tower on the DARA club property. It is located in Huber Heights, Ohio and about 15 miles closer to us. The elevation there is a little bit higher than their old site so the 150 foot new tower height offsets the old 165 foot tower by the higher ground. It is also much closer to the Jones Road link location and has no existing 900 MHz interference that plagued the old location. If accepted by the DARA board members, they may be able to get something on the air yet this year.

...WA8RMC

Jessie says,

"Hey Guys, It has been suggested to me that we (The ATV Group) start a small info page. I will try my hand at it and if there is enough interest, maybe it could become permanent. I thought I would keep it to a single page so the dial up guys wouldn't spend all night downloading it. Send your suggestions to KB8OFF@ARRL.net

...Jess KB8OFF

The Nine O'clock News

VOLUME 1 Sep. 05, 2007 Number 4

It's Time to put It Back!!!

Some Things to Report.

1. We Are meeting At SMOKEY BONES Sat. Sept 8th at 1:00 PM. I have Some news about the future of the repeater.
2. Art Towslee (WA8RMC) From Columbus will speak at the DARA Meeting on The 14th about Digital ATV and the progress They have made on it.
3. We can possibly be on the Channel 16 tower site. There is still some discussion about can we be at B road Site. Give me your thoughts on this on Saturday.
4. Welcome Our newest HAM KD8GRV. Welcome Louis. That's about all for now. Hope to see you all on Saturday. P.S. Don't forget about Findlay on the 9th. 73's
Jess

**REMEMBER NET NIGHT IS STILL 9:00 PM ON WEDNESDAY
!!! D.A.R.A. membership is still only \$10.00 a year !**

ATV REPORT FOR SEPTEMBER 2007

The 3480 MHz transmitter at WITF has been rebuilt. The power output has been reduced slightly to avoid repeating the previous power amp failures. The output circuit of the amp overheated a component between the final amplifier and the circulator. This happened even though the heat sink temperature was very low. The previous amp drew 15 amps at 12.6 volts. The current amp draws 10 amps at 12.6 volts. The output power went from 40 watts to 25 watts. This is only a 2 dB change and most receive locations will not notice a difference. Hopefully this amp will last longer than the previous one. A time base corrector and audio match (High impedance to 600 ohm transmitter input) were added to the transmitter shelf. This was done to reduce clutter and eliminate two wall mounted transformers. The transmitter will go back in service after long term testing is completed this week.

A controller has been ordered for the WITF transmitter by a generous donor. The controller is only a board and the wiring must be completed before it can be mounted in the rack. That work will start as soon as it arrives.

A 10 GHz link between White Rock and WITF is undergoing testing. The White Rock end seems to be functioning well. A one watt 10 GHz transmitter is mounted on a two ft dish at the 50 ft level of the tower. The dish has been aimed for maximum signal to WITF. A check on the ground at White Rock using a 10 GHz downconverter shows a clean signal with excellent video and audio. At WITF the dish location had to be moved to the pole supporting the 10 GHz beacon. The path was blocked by electric company transformers. Better isolation between the 10.3689 GHz beacon and the 10.400 GHz receiver was achieved with vertical separation. The video is solid but still needs some fine tuning. We hope to complete that when the 3480 MHz transmitter is installed. With the 10 GHz link most of the video will come from White Rock. Signals from W3HZU and the 1280 MHz input at White Rock will appear on the output of the WITF transmitter on 3480 MHz. When these inputs are not being used NASA will come from White Rock.

Tabco Towers, Towson, MD to Rising Sun (Bay View)

A 3480 MHz two ft receive dish was installed on Friday, Sept 7 at Rising Sun. This dish is mounted at the 170 ft level and is aimed at the 3480 MHz transmitter at Towson, Md. The path length is 35 miles with a minor obstruction near the middle of the path. The signal is 40 ft above ground level at that location but the trees in the area are 80 ft tall. A Scientific Atlanta 9660 Professional Receiver with a video inverter board is producing very good pictures. The quality and reliability will be followed and if needed the dish may need to be mounted at the 300 ft level. The next step is to reinstall the 910 MHz transmitter. A large hardline is connected to an existing 910 MHz omni antenna at the top of the tower. This transmitter has a power output over 60 watts. This transmitter will have the video from the Towson receiver relayed to the tower at Wilmington, Delaware. A filter and two different receivers will be used at Wilmington. At Wilmington the video will be coupled into an existing 1255 MHz transmitter that is received by the Philadelphia repeaters (421.25 and 910.25 MHz). The goal is for the output of the BRATS repeater that is relayed by the Towson repeater to be received in Philadelphia.

1296 MHZ WAS #1 AWARDED TO TEXAS HAM

Al Ward, W5LUA, of Allen, Texas, is the first person to achieve the ARRL's Worked All States (WAS) on 1296 MHz, making him 1296 MHz WAS #1. Ward first started on his pursuit January 25, 1977, with his first 1296 MHz contact with Leroy May, W5HN (SK). His 30 year quest ended last week, with confirmed contacts with Wyoming, Utah and Idaho, giving Ward his last three needed states, thanks to Paul Perryman's, WA5WCP, EME DXpedition.

"I couldn't have done this without Paul," Ward said. "Also, thanks to Ron Roche, KOALL, and Barry Malowanchuk, VE4MA, in North Dakota for number 47 in August. Without them, it just wouldn't have been possible." After collecting his 50th QSL card, Ward drove from his home in Texas to Little Rock, Arkansas so ARRL President Joel Harrison, W5ZN, could verify his cards and complete his WAS paperwork. "Verifying QSL cards from 30 years of activity brought back a lot of memories of several stations active on 1296, many who are Silent Keys now," Harrison said.

...The ARRL Letter Vol. 26, No. 37 September 14, 2007

DX FROM W8ZCF in CINCINNATI

Hello Rod/Art/others,

Attached are some pictures I snapped from the ATCO repeater this AM. KB8FLY's pictures were from 427.25 and the ATCO pictures were from 1280 MHz. The very interesting reception is from 1280. My antenna is Horiz polarized and I understand the ATCO Rptr antenna is Vertical. Just shows the strength of the opening. I should have been able to receive Digital Pictures from ATCO if I had just been setup to do so.



...Farrell, W8ZCF, Cincinnati, Ohio



We had some very unusual ground clutter echoes from the Wilmington Nexrad this AM. There were fingers pointing in several directions. The ILN 1200 UTC weather balloon also had an unusual plot of temperature inversion around 1000 feet and another sector higher in altitude. It is surmised that we had a duct going this AM at least between Eastern Indiana W9NTP, K9KLM, KB9JGF (all about P5) and W8RVH P5 ++ both 400 and 1200, KB9JGF P5 400, P3-4 1200, KB8GUE P4+ 400, ATCO repeater Columbus Ohio (96 miles) P3-4 400 and up to P4 1280. W4HTB Bowling Green, KY P1-2 (182 miles). K4VXP P4 (130 miles). KA9UVY was P1 on 439.25 later in the AM (.248 miles) SEE all later.



W8PGP, SILENT KEY

It is with deep sadness that I report the passing of one of our fellow ATCO ATVers. Dick was very active with ATV on 439 and was working on 1280 when illness prevented him from finishing the work. He came to all on the Spring/Fall Events that I know of. You may have recognized him there as he was the only one there in a wheel chair. His son-in-law used to accompany him. His obituary follows.

Richard G. Burggraf, 90, of Stoutsville, died August 28, 2007 in Berger Hospital. He was born April 5, 1917 in Marion the son of Harley and Martha (Williams) Burggraf. He was a member of the Teays Valley Amateur Radio Club, W8PGP, and retired from Goodyear Atomic Plant. He was preceded in death by his parents; sisters, Arilla Roth and Audrey Martin and brother, Odus Burggraf. He is survived by his wife, Glendora (Pletcher) Burggraf; sons, Roger (Jonetta) Burggraf of Chillicothe and Gary (Betty) Burggraf of Circleville; daughter, Janet (Fred) Wittich of Circleville; 8 grandchildren; 13 great grandchildren; 1 great great grandchild; sister, Dorothy Denison of Knightstown, IN and brother, Nelly Burggraf of Dolan Springs, AZ. Funeral service will be held 11:00 a.m. Friday August 31, 2007 at the Wellman Funeral Home, Circleville with Rev. George Watters officiating. Burial will be in Hitler-Ludwig Cemetery. Friends may call from 2-4 & 6-8 p.m. at the funeral home. Memorial contributions may be made to Nazarene Compassionate Ministries, 6401 Paseo Blvd., Kansas City, MO 64131

CRES CLUB ITEMS FOR SALE

Art,

Bill Parker suggested that you might be willing to help us out. As you may know the CRES amateur radio club used to be a part of the Western Electric plant on Broad Street. When Western was there they sponsored our club and we had a club station on the company property. When Lucent sold the front building, the club station was shut down, and we sold all the gear except for the tower and the associated antennas. We were recently allowed to take down the tower and the antennas on it and we are trying to sell these items. We are trying to advertise them to anyone interested in the Columbus area as we do not have a way to ship these items. I am attaching a list which details the items, provides a cost and contact information. If you could publish this to your members this would be appreciated. If you have any questions please feel free to call me at 740-927-1804 or email at asgrandle@embarqmail.com

Thanks for any assistance you can provide.

...Art Grandle KD8ZG CRES Radio Club

CRES Amateur Radio club Items for Sale

The CRES Amateur Radio Club has the following items for sale. These are being sold on a first come first served basis and are being sold as is. If you are interested you may contact Art Grandle (KD8ZG) by phone at 740-927-1804 or on the 146.67 W8ZPF repeater. You may also email him at kd8zg@w8zpf.org. Please be sure to include a subject in your email as the spam filter will drop any email with no subject.

1. ITEM: 440 Isopole

DESCRIPTION: 440 Mhz ISOPOLE vertical

Model number: 440

Manufacturer: AEA

Manual: yes

Condition: Fair

Price: \$20.00

2. ITEM: 220 Isopole

DESCRIPTION: 220 Mhz ISOPOLE vertical

Model number: 220

Manufacturer: AEA

Manual: yes

Condition: Fair

Price: \$20.00

3. ITEM: 2 meter beam

DESCRIPTION: 2 meter 11 element beam

Model number: KLM-2M-11X

Manufacturer: KLM

Manual: yes

Condition: Poor- broken and bent elements

Price: \$5.00

4. ITEM: Multi band Beam

DESCRIPTION: 10, 15, 20 meter 7 element beam

Model number: TH 7-DX

Manufacturer: Hy-gain

Manual: yes

Condition: good

Price: \$150.00

5. ITEM: rotator

DESCRIPTION: Antenna rotator without control box. This is Hy-gain's best rotator

Model number: HR300

Manufacturer: Hy-gain

Manual: yes

Condition: fair

Price: \$200.00

6. Item: rotator cable
DESCRIPTION: ~220 feet of cable for the Hy-gain rotator
Model number: unknown
Manufacturer: unknown
Condition: good
Price: \$25.00

7. ITEM: 220 foot section of 50 ohm ½ inch hardline (9 sections [sold by the section])
DESCRIPTION: ~ 220 feet ½ inch 50 ohm hardline terminated on each end with a type N connector
Model Number & Manufacturer: unknown
Condition: good
Price: \$75.00

8. ITEM: 220 foot section of 50 ohm ½ inch hardline (2 sections [sold by the section])
DESCRIPTION: ~ 220 feet ½ inch 50 ohm hardline terminated on one end with a type N connector. The connector from the other end was removed but will be provided to the buyer.
Model Number & Manufacturer: unknown
Condition: good
Price: \$70.00

9. ITEM: Rohn 45 Tilt over tower (6 sections)
DESCRIPTION: Rohn 45 tilt over tower. Includes rotator platform and thrust bearing. Does not include a base section. Does include the winch but may need new cable. Tower tilts in the middle.
Model: 45
Manufacturer: Rohn
Condition: Good
Price: \$450.00

NASA TV SHOWS LAUNCH, DOCKING OF SPACECRAFT, MORE

If you have ever wanted to see what goes on when a spacecraft launches into space or docks with the International Space Station (ISS), be sure to check out NASA TV <<http://www.nasa.gov/ntv>> on your computer. You can watch live coverage of preparations for the launch, the launch and even the docking and hatch openings and closings as spacecraft arrive and leave the ISS.

NASA's Expedition 16 Commander Peggy Whitson, Soyuz Commander, Flight Engineer Yuri Malenchenko, RK3DUP, and Malaysian spaceflight participant Sheikh Muszaphar Shukor, 9W2MUS, are set to launch October 10 at 1321 UTC from the Baikonur Cosmodrome in Kazakhstan. Their Soyuz TMA-11 craft is planned to dock to the station on October 12 at 1427 UTC. Coverage for this event begins October 10 at 1230 UTC. Coverage of the Soyuz docking with the ISS, opening of Soyuz's hatch door and the post-docking news conference from Moscow begins October 12 at 1400 UTC.

NASA Flight Engineer Clay Anderson, KD5PLA, who has been on the station since June, will remain with Whitson and Malenchenko until the arrival of space shuttle Discovery on the STS-120 mission. NASA astronaut Dan Tani, KD5TXE, will arrive on that mission to replace Anderson, who will journey home on Discovery.

Expedition 15 Commander Fyodor Yurchikhin, RN3FI, Soyuz Commander and Flight Engineer Oleg Kotov and Shukor will return to Earth October 21 at 1032 UTC in their Soyuz TMA-10 spacecraft now docked to the ISS. Yurchikhin and Kotov have been aboard the station since April. Coverage for this event begins October 21 at 0345 UTC.

...The ARRL Letter Vol. 26, No. 40 October 5, 2007

ATN NEWSLETTER INFO.

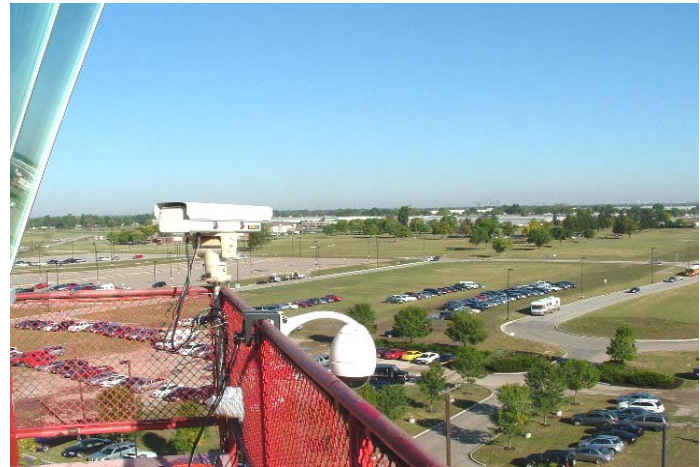
The ATN group on the West coast also has interesting newsletters. If you would like to check them out, click on the URL below. WA8RMC.

N6IFU Bryon Foster is Editor and Publisher of the "ATV Newsletter". To view past issues of the "ATV Newsletter", click on <http://atn-tv.org/atnnews.html> Please send this ATV Newsletter to anyone you think would enjoy it. If you would like to subscribe to the ATV Newsletter send me an e-mail with ATV Newsletter in the subject and I will add you to the list. bryonfoster@hotmail.com If you are currently receiving the ATV Newsletter and would like it stopped, please send me an e-mail as well. My mailing list will not be shared or sold.

AIRPORT AIR SHOW SECURITY

September 26 through October 1, Rickenbacker Airport was the site of a very large air show. I believe the last one was in 1996 so it has been quite some time. This year proved to be much larger than the last one but some military planes were absent. That's too bad but the rest of the aircraft more than made up the difference. They estimated the people count to be in excess of 200,000 so it was reasonably well attended.

Because of crowd size, ATCO was asked to provide crowd observation video similar to our annual RWB participation. Organized by the Franklin county EMA and Columbus police, Tom, KA8ZNY and Phil, N8LRG worked hard to set up cameras on each corner of the control tower (barely visible on the railing in right photo) and feed video to emergency headquarters. I was unable to participate but I'm told that we were well received and no "incidents" occurred. (That's a GOOD thing). Some pictures of the event follow.



KB8GHW INSTALLS NEW TOWER.



Mike is busy working to improve his ATV station this year. He presently has a tower on the east side of the house and hamshack in the basement on the west side. Since he has a ranch type of house, this is a bad situation for UHF and microwave operation because of excessive signal losses due to long coax runs. That is about to end when he completes his new tower on the west side. The base and first section is all that stands now but he plans to go up to at least 75 feet with the new tower. Mike says that the new tower location will allow him to shorten the feedlines by at least 100 feet. Good luck Mike. I hope you get something flying before cold weather sets in.

...WA8RMC

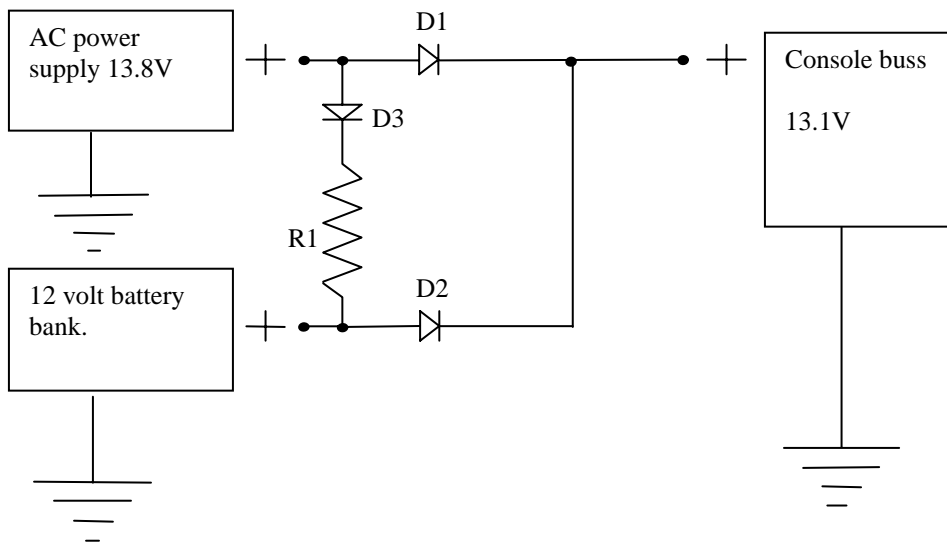


N8OCQ CREATES BATTERY RECHARGE CIRCUIT.

Below is a circuit that I came up with that will protect a power supply from battery back feed in the event your power goes out. My ham-shack is powered by a bank of deep cycle batteries in case of a power failure while the radio is on. If I have to run on battery power for a while when the power comes back on, the resistor and diode combination limits the battery recharge current.

D1 and D2 are silicon diodes large enough to handle the load current. D3 is a 1 amp diode and R1 is approximately 100 ohms 10 watts. The AC supply furnishes the load current while the main AC supply is operational. The battery supplies load current when AC power fails. R1 and D3 supply battery recharge voltage and prevent the battery voltage from feeding back to the AC supply as some supplies don't like to be back fed.

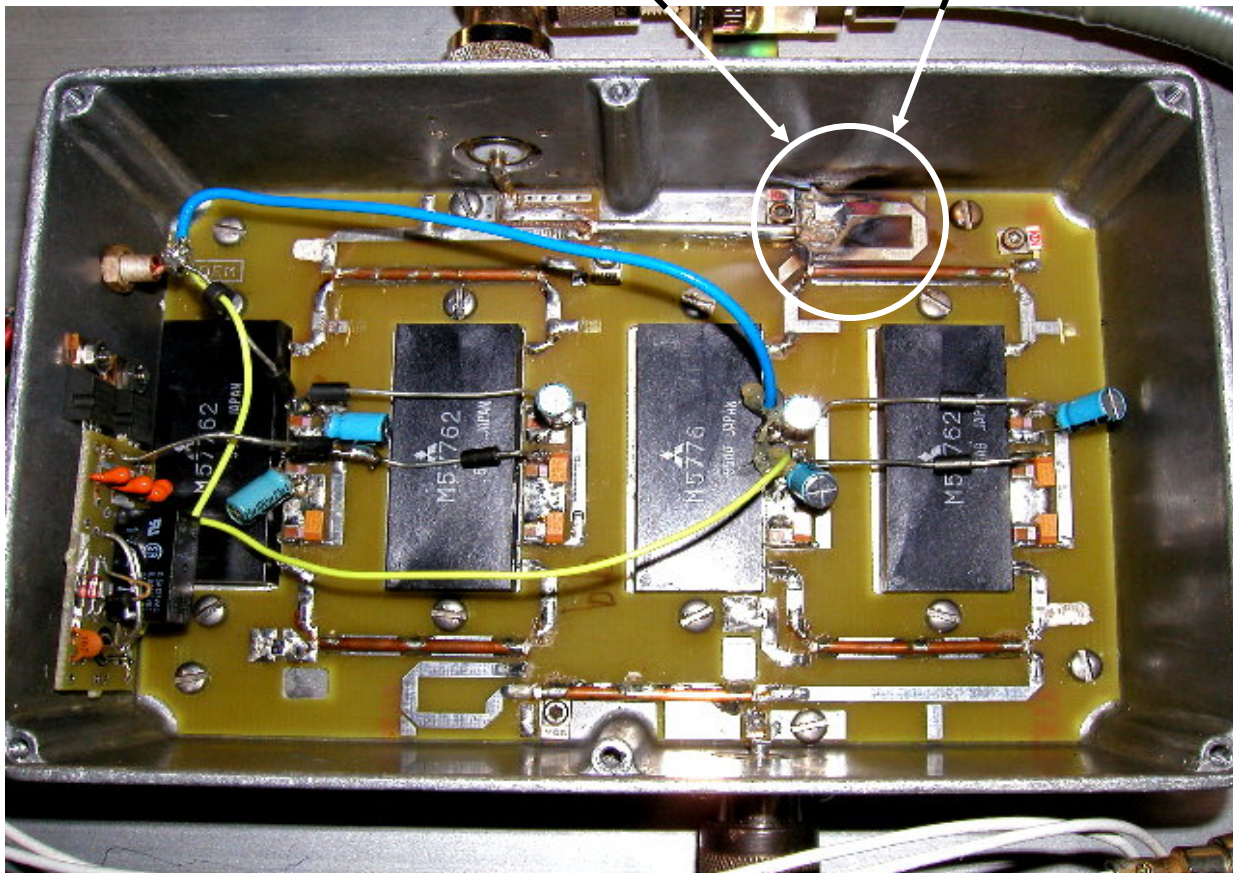
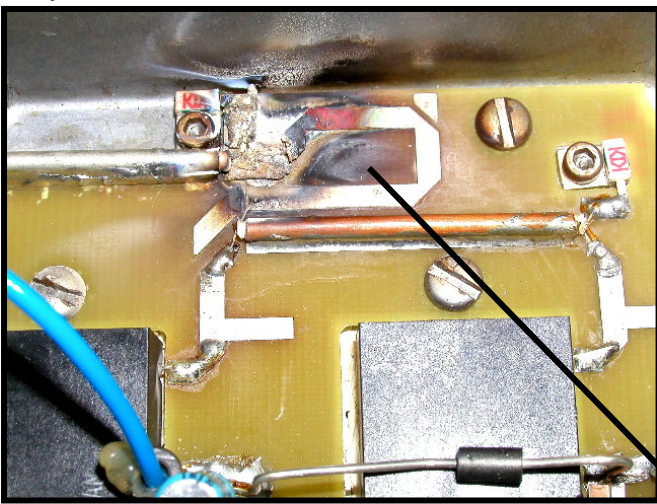
...Bob N8OCQ



1250 MHZ REPEATER AMP PROBLEMS

As reported in my "Workbench" column, here are a few details as to the damage and what I did to fix it, short of buying a new amp. Clearly, the problem was caused by a malfunctioning interdigital output filter. When I put the backup amp in place with the filter, no power was reaching the antenna. At first I thought it was probably something wrong with the antenna and I was in no mood to climb over the girders to get to it that day. Fortunately, when I took the filter out of the line, the problem disappeared. The feedlines were checked which proved to be ok. A continuity test of the filter showed no problem and when I opened it up there was no evidence of problems. All screws were tight so it probably is still tuned ok. I have not checked the filter on the spectrum analyzer yet so I don't know the exact problem with it. However, the backup amp is running without a filter at this time and not causing any interference or receiver desense. Its output is lower, 15 watts compared to 50 and the 1250 MHz output is 30 MHz away from the 1280 input but without a transmitter filter but I expected to see a little receiver desense which didn't happen. When I re-install the main amp, I'll check this closely and if no desense occurs, I'm inclined to leave the transmit filter out but since the lower band limit is 1240 MHz, I might be calling it close. I'll check the amp response first.

The left photo below is the circuit condition before repair. The right photo below is after a new piece of PCB material was epoxied into place with hand scribed RF lines. I also painted the repaired lines with silver paint which produced the rather ragged appearance but yielded about another 3 watts.



ATCO

2007 FALL EVENT

12:30 PM - SUNDAY

October 28, 2007

ABB PROCESS AUTOMATION
CAFETERIA

579 EXECUTIVE CAMPUS DRIVE
FOR MORE DETAILS, CONTACT

ART - WA8RMC 891-9273

LUNCH PROVIDED - DOOR PRIZES -
BRING A FRIEND AND SEE OLD BUDDIES
MINI HAMFEST - SHOW AND TELL

DIRECTIONS TO THE ATCO EVENT

From I-70 WEST Bound:

Take I-270 Northbound around and turning to the west to Cleveland Ave. Exit north onto Cleveland Ave and travel north about 2 miles to Executive Campus drive. (It's the next street past Westar Crossing Street). Turn left (west) to the ABB building at the end of the street.

From I-70 EAST Bound:

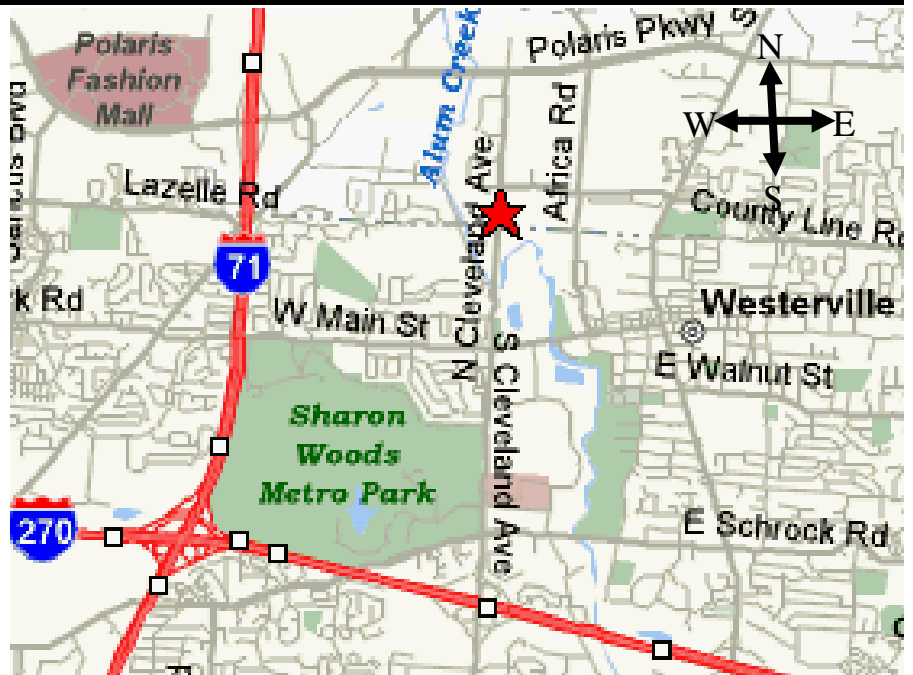
Take I-270 Northbound around and turning to the east past SR 315 and past I-71. Get off on the Cleveland Ave second exit and travel north (to Westerville). Continue north on Cleveland past Schrock Road and then past Main Street. Continue north about ½ mile past Main Street to Executive Campus Drive. (It's the next street past Westar Crossing Street) Turn left (west) to the ABB building at the end of the street

From I-71 NORTH bound toward Columbus:

Drive through Columbus on I-71 to I-270 on the north side. Take I-270 east to the first exit, Cleveland Ave. Get off the Cleveland Ave second exit and travel north (to Westerville). Continue north past Schrock Road and then past Main street. Continue north about ½ mile past Main Street to Executive Campus Drive. (It's the next street past Westar Crossing Street) Turn left (west) to the ABB building at the end of the street.

From I-71 traveling SOUTH bound toward Columbus (North of I-270):

Exit the Polaris Ave exit and travel east about 1 mile to Cleveland Ave. Turn right on Cleveland Ave to Executive Campus Drive. Turn right again on Executive Campus Drive. ABB is on the right side of the street about half way around the semi-circle.



LOCAL HAMFEST SCHEDULE

This section is reserved for upcoming hamfests. They are limited to Ohio and vicinity easily accessible in one day. Anyone aware of an event incorrectly or not listed here, notify me so it can be corrected. This list will be amended, as further information becomes available. WA8RMC.

28 Oct 2007+ Massillon Hamfest and Auction Massillon Amateur Radio Club <http://www.marcradio.org> Talk-In: 147.180+ (PL 110.9) Contact: Terry Russ, N8ATZ 3420 Briardale Circle NW Massillon, OH 44646 Phone: 330-837-3091 Email: truss@sssnet.com Massillon, OH Massillon Boys and Girls Club 730 Duncan Street SW

10 Nov 2007+ Grant Amateur Radio Club <http://www.garcOhio.net> Talk-In: 146.730 - Contact: Rodney Crawford, WD8CTX PO Box 76 Buford, OH 45110 Phone: 937-446-2338 Email: wd8ctx@juno.com Georgetown, OH ABCAP Building (Old Alverda Reed School) 406 West Plum Street

12 Jan 2008* SouthWest Ohio Digital & Technical Symposium Dial Radio Club & Center for Chemistry Education of Miami University <http://www.swohdigi.org> Talk-In: 146.01/61 Contact: Jay Slough, K4ZLE 2554 Hamilton Road Lebanon, OH 45036-8849 Phone: 513-934-0235 Email: k4zle@arrl.net Middletown, OH Miami University - Thesken Hall 4200 East University Blvd.

20 Jan 2008+ 12th Annual S.C.A.R.F. Hamfest Sunday Creek Amateur Radio Federation Talk-In: 147.15+ Contact: Jeramy Duncan, KC8QDQ 5000 Angel Ridge Road Athens, OH 45701 Phone: 740-593-3451 Email: KC8QDQ@hughes.net Nelsonville, OH Tri-County Career Center 15676 State Route 691

20 Jan 2008+ Tusco Amateur Radio Club <http://noard.com/tuscoarc.htm> Talk-In: 146.730 (PL 71.9) Contact: Gary A. Green, K8WFN 32210 Norris Road Tippecanoe, OH 44699 Phone: 740-922-4454 Email: k8wfn@tusco.net Strasburg, OH Wallick Auction House 965 North Wooster Avenue

10 Feb 2008+ Mansfield Mid-Winter Hamfest Intercity Amateur Radio Club <http://www.iarc.ws> Talk-In: 146.94 (PL 171.9) Contact: Dean Wrasse, KB8MG 1094 Beal Road Mansfield, OH 44904 Phone: 419-589-2415 Fax: 419-884-6177 Email: Metal07man@yahoo.com Mansfield, OH Richland County Fairgrounds 750 North Home Road

20 Apr 2008+ 54th Annual Hamfest, Electronics, and Computer Show Cuyahoga Falls Amateur Radio Club <http://www.cfarc.org/hamfest2008.htm> Talk-In: 147.27 Contact: Ted Sarah, W8TTS 239 Belmont Avenue Munroe Falls, OH 44262 Phone: 330-688-2013 Email: w8tts@w8tts.com Cuyahoga Falls, OH Emidio & Sons Party Center 48 East Bath Road

11 May 2008x 1st Annual Bucyrus Hamfest & Computer Show Talk-In: 147.165 (PL 88.5) Contact: Kenneth Cook, W8DZN 5726 Timpson Road Caledonia, OH 43314 Phone: 419-834-0887 Email: w8dzn@arrl.net Bucyrus, OH Crawford County Fairgrounds Youth Building

20 Jul 2008+ Van Wert Amateur Radio Club <http://www.w8fy.org/> Talk-In: 146.250 / 146.850 Contact: Louie Thomas, WD8LLO 208 North Chestnut Street Van Wert, OH 45891 Phone: 419-238-2812 Email: skouts@bright.net Van Wert, OH Van Wert County Fairgrounds US Route 127 South

NEW MEMBER(S)

Let's welcome the new members to our group! If any of you know anyone who might be interested, let one of us know so we can flood him or her with information. New members are our group's lifeblood. It's important that we actively recruit new faces aggressively.

W4HTM Henry Cantrell, Bowling Green, Ky.
...WA8RMC

LOCAL HAM CLUB LISTING

Club/Organization	Web Site	In Person Meetings See the Club's Web Site for Location	Nets	ARRL Affiliated ?
ARC OF OHIO STATE UNIVERSITY	http://arc.org.ohio-state.edu/	2nd Mon of the month at 18:00		Y
ATCO-AMATEUR TELEVISION IN CENTRAL OHIO	http://www.atco.tv/homepage/index.htm	Last Sun in October First Sun in May	Tue's at 21:00 on 147.450 with Repeat Audio on 446.350	
BUCKEYE BELLES-OHIO LADIES AMATEUR RADIO CLUB	http://geocities.com/kc4iyd		Mon's at 09:00 on 3.945 Mon's at 21:00 on 147.060 Tue's at 20:00 on 3.972 Tue's at 20:30 on 7.236	
CCRA-CAPITAL CITY REPEATER ASSN	http://www.qsl.net/ccra/	2nd Sat of the month at 19:30	Mon's at 20:30, the Swap'n'shop Net on 147.24; followed by a Discussion Net	
CENTRAL OHIO SLOW SCAN TV	http://www.qsl.net/n8tut/sstv/		1st Sun at 19:00 on 145.490	
COARES-CENTRAL OHIO ARES	http://www.coares.org/	3rd Wed of the month at 20:00	Wed's at 20:00 on 147.060 except the 3rd Wed of the month.	Y
COLUMBUS FOX HUNTERS	http://www.qsl.net/cfh/			
COOKEN-CENTRAL OHIO OPERATORS KLUB EXTRA TO NOVICE	http://www.cooken.org/	2nd Sat of the month at 12:00	Wed's at 20:30. See web site for details on freqs.	Y
CORC-CENTRAL OHIO RADIO CLUB	http://www.corc.us/	Check web site		
COSHOCTON COUNTY AMATEUR RADIO ASSOC.	http://www.w8cca.org/	1st Tue of the month at 19:00	Sun's at 21:00 on 147.045	
COSWN-CENTRAL OH SEVERE WEATHER NET	http://www.severe-weather.org/		Tue's at 19:30 on 146.76 PL of 123.0hz Spring & Summer; 3rd Tue's Fall & Winter	Y
COTN-CENTRAL OHIO TRAFFIC NET	http://www.technology-corner.com/cotn/		Daily at 19:15 on 147.240	
CQRP-COLUMBUS QRP CLUB	http://www.qsl.net/cqrp/	1st Sat of the month at 10:30		
CRES-ARC	http://www.qsl.net/w8zpf	Check web site	Sun's at 21:00 on 146.070	Y
DELARA-DELAWARE AMATEUR RADIO ASSOCIATION	http://www.k8es.org/Home.html	3rd Wed of the month at 19:30	Mon's at 20:00 on 145.17	Y
LANCASTER & FAIRFIELD CTY ARC	http://www.k8qik.org/	1st Thu of the month at 19:30	Mon's at 21:00 on 147.030 Thu's at 18:30 on 147.030 is Radio Night.	Y
LICKING COUNTY ARES	http://www.licking-ares.org/		1st & 3rd Wed of the month at 21:00 on 146.88	
MOUNT VERNON ARC	http://mvarc.net/	2nd Mon of the month at 19:00		Y
NARA-NEWARK AMATEUR RADIO ASSOCIATION	http://nara.eqth.org/	2nd Sat of the month at 19:00	Tue's at 21:00 on 146.88	Y
OHIO NAVY-MARINE CORPS MARS	http://www.ohionavymars.org/			N/A
QCWA MID-OHIO CHAPTER	http://www.qcwa.org/qcwa212/	Check web site	Thu's at 20:30 on 146.76	
RUSTY ZIPPER HF & DX CONTEST CLUB	http://www.qsl.net/na8kd/			
SOUTH WEST COLUMBUS HAM RADIO CLUB	http://swchrc.com/		Fri's at 20:00 on 145.230 or 53.550	Y
VOICE OF ALADDIN ARC	http://www.qsl.net/w8fez/			Y
ZARC-ZANESVILLE AMATEUR RADIO CLUB	http://zarc.eqth.org/	1st Tue of the month at 19:00	Wed's at 21:00 on 146.610	Y

INTERNET ATV HOME PAGES (list verified 04/15/06)

If you have access to the INTERNET, you may be interested to know of some of the HAM related information that is available. Most addresses listed below are case sensitive, so type exactly as shown.

Domestic homepages

http://www.atco.tv	Ohio, Columbus, homepage (ATCO)
http://www.w8bi.org/atv/atvresources.html	Ohio, Dayton ATV group (DARA)
http://www.citynight.com/atv	California, San Francisco ATV
http://www.qsl.net/atn	California, Amateur Television Network in Central / Southern
http://members.tripod.com/silatvg	Illinois, Southern, Amateur Television group
http://www.ussc.com/~uarc/utah_atv/id_atv1.html	Idaho ATV
http://www.kcatv.org	Kansas, Kansas City Amateur TV Group (KCATVG)
www.bratsatv.org	Maryland, Baltimore Radio Amateur Television Soc. (BRATS)
http://www.dxzone.com/cgi-bin/dir/jump2.cgi?ID=10991	Michigan, Detroit Amateur Television System (DATS)
http://www.qsl.net/kd2bd/atv.html	New Jersey, Brookdale ARC in Lincroft
http://www.ipass.net/~teara/menu3.html	North Carolina, Triangle Radio Club (TEARA)
http://www.oregonatv.org	Oregon, Portland OATVA Oregon Amateur TV Association
http://www.jones-clan.com/amateur_radio/klamath_amateur_television.htm	Oregon, Southern Oregon ATV
http://www.nettekservices.com/ATV/	Pennsylvania, Pittsburg Amateur Television
http://members.bellatlantic.net/~theojkat	Pennsylvania, Phila. Area ATV
http://www.hats.stevens.com	Texas, Houston ATV (HATS)
http://www.hotarc.org/atv.html	Texas, WACO Amateur TV Society (WATS)
http://www.ussc.com/~uarc/utah_atv/utah_atv.html	Utah ATV
http://www.qsl.net/w7twu	Washington, Western Washington Television Soc. (WWATS)
http://www.shopstop.net/bats/	Wisconsin, Badgerland Amateur Television Society (BATS)

Foreign homepages

http://atv.hamradio.si	Slovenia ATV (BEST OF FOREIGN ATV HOMEPAGES)
http://www.batc.org.uk/index.htm	British ATV club (BATC)
http://www.cq-tv.com	British ATV Club and CQ-TV Magazine
http://oh3tr.ele.tut.fi/english/atvindex.html	Finland ATV, OH3TR repeater.
http://www.darc.de/distrikte/g/T_ATV/atv.htm	German ATV

TUESDAY NITE NET ON 147.45 MHz SIMPLEX

Every Tuesday night @ 9:00PM WA8RMC hosts a net for the purpose of ATV topic discussion. There is no need to belong to the club to participate, only a genuine interest in ATV. All are invited. For those who check in, the general rules are as follows: Out-of-town and video check-ins have priority. A list of available check-ins is taken first then a roundtable discussion is hosted by WA8RMC. After all participants have been heard, WA8RMC will give status and news if any. Then a second round follows with periodic checks for late check-ins. We rarely chat for more than an hour so please join us if you can.

ATCO TREASURER'S REPORT - de N8NT

OPENING BALANCE (07/30/07).....	\$ 1197.63
RECEIPTS(dues).....	\$ 110.00
Paypal charges.....	\$ (2.34)
Flowers for W8PGP funeral.....	\$ (50.00)
Internet Domain fee.....	\$ (49.94)
CLOSING BALANCE (10/25/07).....	\$ 1205.35

ATCO REPEATER TECHNICAL DATA SUMMARY

Location: Downtown Columbus, Ohio
Coordinates: 82 degrees 59 minutes 53 seconds (longitude) 39 degrees 57 minutes 45 seconds (latitude)
Elevation: 630 feet above average street level (1460 feet above sea level)
Transmitters: 427.25 MHz AM modulation, 1250 MHz FM modulation, 1260 MHz QPSK digital, 2433 MHz FM modulation and 10.350 GHz FM modulation

Interdigital filters in output line of 427.25, 1250 & 2433 transmitters
Output Power - 427.25 MHz :40 watts average 80 watts sync tip
1250 MHz: 50 watts continuous (Analog ATV)
1260 MHz 2 watts continuous (DVB-S digital ATV - 2 channels)
2433 MHz: 15 watts continuous
10.350 GHz 1 watt continuous

Link transmitter - 446.350 MHz 5 watts NBFM 5 kHz audio

Identification: 427, 1250, 1260, 2433, 10.35 GHz xmitters video identify every 30 min. with ATCO & WR8ATV on 4 different screens
1260 MHz - Continuous transmission of ATCO & WR8ATV with no input signal present

Transmit antennas: 427.25 MHz - Dual slot horizontally polarized "omni" 7 dBd gain major lobe east/west, 5dBd gain north/south
1250 MHz - Diamond vertically polarized 12 dBd gain omni (Analog ATV)
1260 MHz - Diamond vertically polarized 12 dBd gain omni (Digital DVB-S ATV)
2433 MHz - Comet Model GP24 vertically polarized 12 dBd gain omni
10.350 GHz - Commercial 40 slot waveguide horizontally polarized 16 dBd gain omni

Receivers: 147.45 MHz - F1 audio input with touch tone control
439.25 MHz - A5 video input with FM subcarrier audio (**lower sideband**)
449.350 MHz - F1 audio input aux touchtone control
1280 MHz - F5 video input or DVB-S digital (digital input fed direct to 1260 MHz digital output channel 2)
2398 MHz - F5 video input
10.350 GHz - F5 video input (future – not installed yet)

Receive antennas: 147.45 MHz - Vert. polar. Hi Gain 12 dBd dual band (also used for 446.350 MHz output)
439.25 MHz - Horiz. polar. dual slot 7 dBd gain major lobe west
915 MHz - Diamond vertically polarized 12 dBd gain omni (spare ant – not in use at this time)
1280 MHz - Diamond vertically polarized 13 dBd gain omni
2398 MHz - Comet Model GP24 vertically polarized 12 dBd gain omni
10.450 GHz - Commercial 40 slot waveguide horizontally polarized 16 dBd gain omni (not installed yet)

Input control:	<u>Touch Tone</u>	<u>Result (if third digit is * function turns ON, if it is # function turns OFF)</u>
	00#	turn transmitters off (exit manual mode and return to auto scan mode)
	00*	turn transmitters on (enter manual mode-keeps xmitters on till 00# sequence is pressed)
	264	Select Channel 4 Doppler radar. (Stays up for 5 minutes) Select # to shut down before timeout.
	697	Select Time Warner radar. (Stays up till turned off). Select # to shut down.

Manual mode functions:	00* then 1 Ch. 1	Select 439.25 receiver - manual mode (hit 00* then 1 to view 439.25 signal only)
	00* then 2 Ch. 2	Unused at this time
	00* then 3 Ch. 3	Select 1280 receiver - manual mode
	00* then 4 Ch. 4	Select 2411 receiver - manual mode
	00* then 5 Ch. 5	Select video ID - manual mode (the 4 identification screens)
	01* or 01#	Channel 1 439.25 MHz scan enable (hit 01* to scan this channel & 01# to disable it)
	02* or 02#	Channel 2 915 MHz scan enable (not in use at this time)
	03* or 03#	Channel 3 1280 MHz scan enable
	04* or 04#	Channel 4 2398 MHz & camera video scan enable
	A1* or A1#	Manual mode select of 439.25 receiver audio
	A2* or A2#	Unused channel at this time
	A3* or A3#	Manual mode select of 1280 receiver audio
	A4* or A4#	Manual mode select of 2398 receiver audio
	C0* or C0#	Beacon mode – transmit ID for twenty seconds every ten minutes
	C1* or C1#	449.350MHz link receiver enable / disable
C2* or C2#	2433 transmitter for on/off. (C2* enables transmitter and C2# disables it)	

Auto scan mode functions:	001	2398 receiver (normal mode - returns to auto scan)
	002	Roof camera (select 001 when finished viewing camera so repeater will shut down)
	003	Equipment. room camera (select 001 when finished so repeater will shut down)

ATCO MEMBERS AS OCTOBER 25, 2007

Call	Name	Address	City	St	Zip	Phone	URL
KD8ACU	Robert Vieth	3180 North Star Rd	Upper Arlington	OH	43221	614-457-9511	rfvieth@yahoo.com
K8AEH	Wilbur Wollerman	1672 Rosehill Road	Reynoldsburg	OH	43068	614-866-1399	wilburapilot@yahoo.com
N4AK	Glen Farr	10 Autumn View Ridge	Travelers Rest	SC	29690-8024		
KC8ASD	Bud Nichols	3200 Walker Rd	Hilliard	OH	43026	614-876-6135	kc8asd2@netzero.com
KC8ASF	Tom Pallone	3437 Dresden St.	Columbus	OH	43224	614-268-4873	
W6CDR	Wynn Rollert	1141 Pursell Ave	Dayton	OH	45420	937-256-1772	w6cdr@hotmail.com
WB8CJW	Dale & Sharon Elshoff	8904 Winoak Pl	Powell	OH	43065	614-210-0551	delshoff@columbus.rr.com
N8COO	C Mark Cring	3941 Three Rivers Lane	Groveport	OH	43125	614-836-2521	n8coo@yahoo.com
N8CXI	Garry Cotter	2367 Northglen Drive	Columbus	OH	43224		gicotter@aol.com
WB8CXO	Mike Young	289 Gaylord Drive	Munroe Falls	OH	44682		
N3DC	William Thompson	6327 Kilmer St	Cheverly	MD	20785		
WA8DNI	John Busic	2700 Bixby Road	Groveport	OH	43125	614-491-8198	jabusic@yahoo.com
W8DMR	Bill Parker	2738 Florbunda Dr	Columbus	OH	43209		w8dmratv@copper.net
K8DW	Dave Wagner	2045 Maginnis Rd	Oregon	OH	42616	419-691-1625	
WA3DTO	Rick White	2771Keystone Dr.	Painsville	Oh	44077-8830		wa3dto@aol.com
WB8DZW	Roger McEldowney	5420 Madison St	Hilliard	OH	43026	614-876-6033	MHZ52525@aol.com
KC8EVR	Lester Broadie	108 N Burgess	Columbus	OH	43204		
KB8FLY	Rod Shaner	124 West Walnut St.	Lancaster	OH	43130-4344	740-279-3614	rshaner@copper.net
W8FZ	Fred Stutske	8737 Ashford Lane	Pickerington	OH	43147		w8fz@arrl.net
KB8GHW	Mike Amirault	11354 Reussner Dr SW	Pataskala	OH	43062	740-927-5005	kb8ghw@ee.net
W8GUC	Reuben Meeks	1345 Helke Rd	Vandalia	OH	45377	937-454-0968	rcmeeks2@hughes.net
WA8HFK,KC8HIP	Frank, Pat Amore	3630 Dayspring Dr	Hilliard	OH	43026	614-777-4621	famore@wowway.com
W4HTB	Henry Cantrell	905 Wrenwood Dr.	Bowling Green	KY	42103	270-781-9624	w4htb@insightbb.com
WG8I	Chris Vojsak Sr,	3536 W Henderson Rd	Columbus	OH	43220-2232		
WB2IIR	Michael Anthony	370 Georgia Drive	Brick	NJ	08723		
N8IJ	Dick Knowles	1440 Northbrook Dr	Lima	OH	45805		rgrant2001@yahoo.com
K8KDR,KC8NKB	Matt & Nancy Gilbert	5167 Drumcliff Ct.	Columbus	OH	43221-5207	614-771-7259	k8kdr@arrl.net
W8KHW	Kevin Walsh	2396 Anson St	Columbus	OH	43220	614-442-7748	kwalsh@datix.com
N8KQN (sk)	Flo Post	1267 Richter Rd	Columbus	OH	43223	614-276-1820	n8kqn@copper.net
WA8KQQ	Dale Waymire	225 Rifle Ave	Greenville	OH	45331	937-548-2492	walkingcross@bright.net
N8LRG	Phillip Humphries	3226 Deerpath Drive	Grove City	OH	43123	614-871-0751	phumphries@columbus.rr.com
WB8LGA	Charles Beener	2540 State Route 61	Marengo	OH	43334		cheener@columbus.rr.com
KA8LWR	Mel Alberty	1645 Olentangy Road	Bucyrus	OH	44820	419-468-2971	ka8lwr@bright.net
W8MA	Phil Morrison	154 Llewellyn Ave	Westerville	OH	43081		
KA8MID	Bill Dean	2630 Green Ridge Rd	Peebles	OH	45660		ka8mid@qsl.net
N8NT	Bob Tournoux	3569 Oarlock Ct	Hilliard	OH	43026	614-876-2127	n8nt@atco.tv
WD8OBT	Tom Camm	63 Goings Lane	Reynoldsburg	OH	43068	740-964-6881	firefoxtom11@netzero.com
WU8O	Tom Walter	15704 St Rt 161 West	Plain City	OH	43064	614-733-0722	wu8o@emec.us
N8OCQ	Bob Hodge Sr.	3750 Dort Place	Columbus	OH	43227-2022		hodgerob@yahoo.com
KB8OFF	Jess Nicely	742 Carlisle Ave	Dayton	OH	45410		kb8off@sbcglobal.net
W6ORG,WB6YSS	Tom & Maryann O'Hara	2522 Paxson Lane	Arcadia	CA	91007-8537	626-447-4565	tom6ORG@hamtv.com
KC8OZV	George Biundo	3675 Inverary Drive	Columbus	OH	43228	614-274-7261	kiowatt@biundo.org
K2PMS	Paul Schmitter	57 East Main Street	Springville	NY	14141		paul.schmitter@verizon.net
KE8PN	James Easley	1507 Michigan Ave	Columbus	OH	43201	614-421-1492	jeasley11@hotmail.com
W8PGP,WD8BGG	Richard, Roger Burggraf	5701 Winchester So. Rd	Stoutsville	OH	43154	740-474-3884	rgburggraf@juno.com
WB8PJZ	Dave Morris	12025 Wapak-Buckland R	Wapakoneta	OH	45895		
AE6QU	Ron Phillips	10858 W. Kaibab Dr.	Sun City	AZ	85373	602-369-4242	sunsettelcom@juno.com
WA8RMC	Art Towslee	180 Fairdale Ave	Westerville	OH	43081	614-891-9273	towslee1@ee.net
W8RRF	Paul Zangmeister	10365 Salem Church Rd	Canal Winchester	OH	43110		w8rrf@copper.net
W8RRJ	John Hull	580 E. Walnut St.	Westerville	OH	43081	614-882-6527	jhull@wcmi.org
W8RUT,N8KCB	Ken & Chris Morris	3181 Gerbert Rd	Columbus	OH	43224	614-261-8583	w8rut@aol.com
W8RVH	Richard Goode	9391 Ballentine Rd	New Carlisle	OH	45334	937-964-1185	w8rvh@glasscity.net
W8RQI	Ray Zeh	2263 Heysler Rd	Toledo	OH	43617		zehrw@glasscity.net
KB8RVI	David Jenkins	1941 Red Forest Lane	Galloway	OH	43119	614-878-0575	kb8rvi@hotmail.com
W8RWR	Bob Rector	135 S. Algonquin Ave	Columbus	OH	43204-1904	614-276-1689	w8rwr@sbcglobal.net
W8RXX,KA8IWB	John & Laura Perone	3477 Africa Road	Galena	OH	43021	740-548-7707	lpjp@copper.net
W8SJV, KA8LTG	John & Linda Beal	5001 State Rt. 37 East	Delaware	OH	43015	740-369-5856	w8sjv@nexgenaccess.com
KB8SSH	Mike Cotts	3424 Homecroft Dr	Columbus	OH	43224	614-268-8497	mcotts@wideopenwest.com
W3SST	John Shaffer	1635 Haft Dr.	Reynoldsburg	OH	43068	614-751-0029	w3sst@juno.com
K8TPY, K8FRB	Jeff & Dianna Patton	3886 Agler Road	Columbus	OH	43219		cqck8tpy@yahoo.com
NR8TV	Dave Kibler	243 Dwyer Rd	Greenfield	OH	45123	937-981-1392	s.crew@in-touch.net
KB8UGH	Steve Caruso	6463 Blacks Rd. SW	Pataskala	OH	43062-7756		dae14@copper.net
WB8UGV	Bruce Jaquish	22375 Montanna Drive	Lawrenceburg	IN	47025-7447	812-637-3805	brucewb8ugv@comcast.net
W8URI	William Heiden	5898 Township Rd #103	Mount Gilead	OH	43338	419-947-1121	w8uri@earthlink.net
KB8UWI	Milton McFarland	115 N. Walnut St.	New Castle	PA	16101		kb8uwi@yahoo.com
WA8UZP	James R. Reed	818 Northwest Blvd	Columbus	OH	43212	614-297-1328	wa8uzp@yahoo.com
KB8WBK	David Hunter	45 Sheppard Dr	Pataskala	OH	43062	740-927-3883	hramhunter@aol.com
KC8WRI	Tom Bloomer	PO Box 595	Grove City	OH	43123		ohiomec@aol.com
AA8XA	Stan Diggs	2825 Southridge Dr	Columbus	OH	43224-3011		sdiggs4590@aol.com
N8XYJ	Dan Baughman	4269 Hanging Rock Ct.	Gahanna	OH	43230		danohio@wowway.com
KB8YMQ	Jay Caldwell	4740 Timmons Dr	Plain City	OH	43064		kb8ymq@aol.com
KC8YPD	Joe Ebright	3497 Ontario St	Columbus	OH	43224		-----

Call	Name	Address	City	St	Zip	Phone	URL
N8YHY	Chris Scott	1145Rural Ave SE#5	Salem	OH	97302		
N8YZ	Dave Tkach	2063 Torchwood Loop S	Columbus	OH	43229	614-882-0771	
AB5ZJ	Tom Phillips	6712 Hickory Pl. Ct.	No. Richland Hills	TX	76180		
KA8ZNY,N8OOY	Tom & Cheryl Taft	386 Cherry Street	Groveport	OH	43125	614-202-9042	ttaft@columbus.rr.com

ATCO MEMBERSHIP INFORMATION

Membership in ATCO (Amateur Television in Central Ohio) is open to any licensed radio amateur who has an interest in amateur television. The annual dues are \$10.00 per person payable on January 1 of each year. Additional members within an immediate family and at the same address are included at no extra cost.

ATCO publishes this newsletter quarterly in January, April, July, and October. It is sent to each member without additional cost.

The membership period is from January 1ST to December 31ST. New Members will receive all ATCO newsletters published during the current year prior to the date they join ATCO. For example, a new member joining in June will receive the January and April issues in addition to the July and October issues. As an option for those joining after mid July, they can elect to receive a complementary October issue with the membership commencing the following year. Your support of ATCO is welcomed and encouraged.

ATCO CLUB OFFICERS

President: Art Towslee WA8RMC	Repeater trustees: Art Towslee WA8RMC
V. President: Ken Morris W8RUT	Ken Morris W8RUT
Treasurer: Bob Tournoux N8NT	Dale Elshoff WB8CJW
Secretary: Frank Amore WA8HFK	Statutory agent: Frank Amore WA8HFK
Corporate trustees: Same as officers	Newsletter editor: Art Towslee WA8RMC

ATCO MEMBERSHIP APPLICATION

RENEWAL NEW MEMBER DATE _____
 CALL _____
 OK TO PUBLISH PHONE # IN NEWSLETTER YES NO
 HOME PHONE _____
 NAME _____
 INTERNET Email ADDRESS _____
 ADDRESS _____
 CITY _____ STATE _____ ZIP _____ - _____
 FCC LICENSED OPERATORS IN THE IMMEDIATE FAMILY _____

COMMENTS _____

ANNUAL DUES PAYMENT OF \$10.00 ENCLOSED CHECK MONEY ORDER

Make check payable to ATCO or Bob Tournoux & mail to: Bob Tournoux N8NT 3569 Oarlock CT Hilliard, Ohio 43026. Or, if you prefer, pay dues via the Internet with your credit card. Go to www.atco.tv/paydues and fill out the form. Payment is made through "PayPal" but you DO NOT need to join PayPal to send your dues. Simply DO NOT fill out the password details and there will be no PayPal involvement.

ATCO Newsletter
c/o Art Towslee-WA8RMC
180 Fairdale Ave
Westerville, Ohio 43081

FIRST CLASS MAIL

**REMEMBER...CLUB DUES ARE NEEDED.
CHECK THE RIGHT CORNER OF THE MAILING LABEL
OR
MEMBERS PAGE OF ATCO WEBSITE FOR THE EXPIRATION DATE.
SEND N8NT A CHECK IF EXPIRED.**
